



## DDB04 TTL DISTRIBUTION MODULE

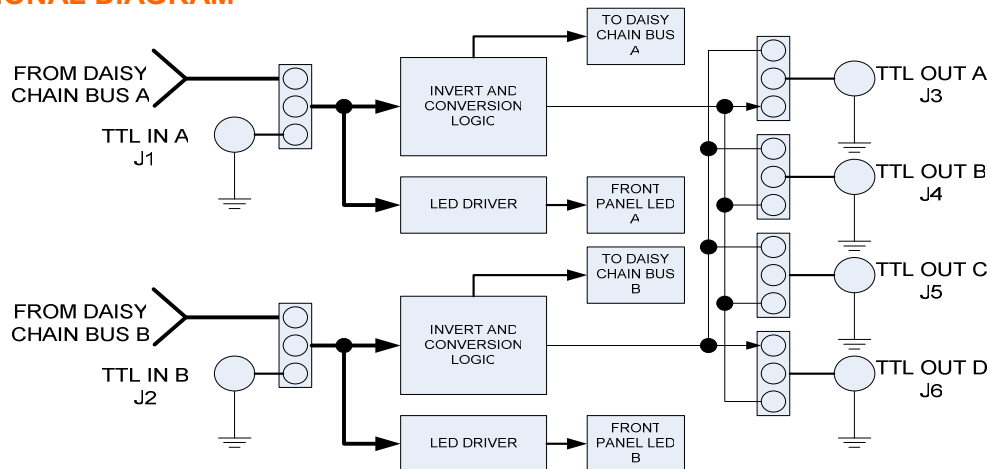
### FEATURES

- Operates up to 45 Mbps
- Two TTL Level Inputs
- Four TTL Level Outputs
- Jumper Selectable Input Polarity
- Drives Daisy Chain Bus for additional distribution
- Input Activity LED

### OVERVIEW

The DDB04 Pluggable Interface Module (PIM) is a conversion module capable of receiving two TTL level input signals and produces four TTL level output signals. All input signals may be inverted independently. The DDB04 uses two BNC input connectors, four BNC output connectors and operates up to 45 Mbps. The DDB04 can also drive the daisy chain bus of the AL2500 chassis enabling the user to create additional copies of the input data signals. A valid input to J1 and J2 will illuminate the corresponding A & B LED on the front of the module respectively. The DDB04 requires 1 slot of the 15 available slots in the Model AL2500 chassis.

### FUNCTIONAL DIAGRAM



### SPECIFICATIONS

#### GENERAL

- 2 Independent channels
- Single slot module
- Model AL2500 Pluggable Interface Module

#### INPUT

- Selectable: J1/J2 BNCs or internal daisy chain bus
- TTL data and clock
- Rate: up to 45Mbps

- 50/75/1K ohm selectable termination
- Jumper selectable polarity

#### OUTPUT

- J3-J6: TTL data
- Jumper selectable output control