



APOGEE LABS

DDB05

TTL DISTRIBUTION MODULE

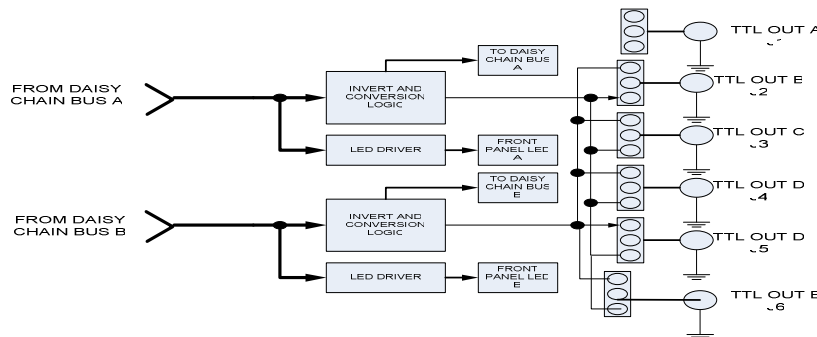
FEATURES

- Output only module
- Receives data from chassis daisy chain bus
- Operates up to 45 Mbps
- Six TTL Level Outputs
- Drives Daisy Chain Bus for additional distribution

OVERVIEW

The DDB05 Pluggable Interface Module (PIM) is a conversion module capable of receiving two TTL level input signals from the AL2500 Daisy Chain Bus and producing six TTL level output signals. The DDB05 uses six BNC output connectors and operates up to 45 Mbps. The DDB05 can also drive the daisy chain bus of the AL2500 chassis enabling the user to create additional copies of the input data signals. The DDB05 requires 1 slot of the 15 available slots in the Model AL2500 chassis.

FUNCTIONAL DIAGRAM



SPECIFICATIONS

GENERAL

- 6 Independent output channels
- Single slot module
- Model AL2500 Pluggable Interface Module
- Rates up to 45 Mbps

OUTPUT

- Outputs data received from chassis daisy chain bus
- J1-J6: TTL data
- Jumper selectable output control