

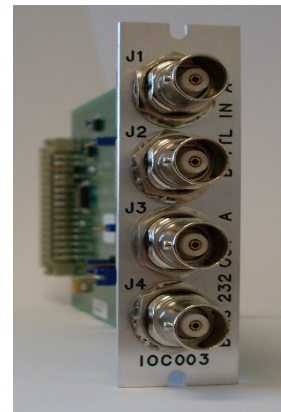


IOC003 TTL TO RS-232 CONVERTER MODULE

TTL BNC (2) Inputs, RS-232 BNC (2) Outputs

FEATURES

- Two Independent TTL Level Inputs
- Two Independent RS-232 Level Outputs
- Inputs Illuminate Front Panel LED's
- Selectable Input Termination (50Ω and 75Ω)
- Drives Daisy Chain and Global Bus
- Independent Polarity Selection
- Operates up to 500 kbps

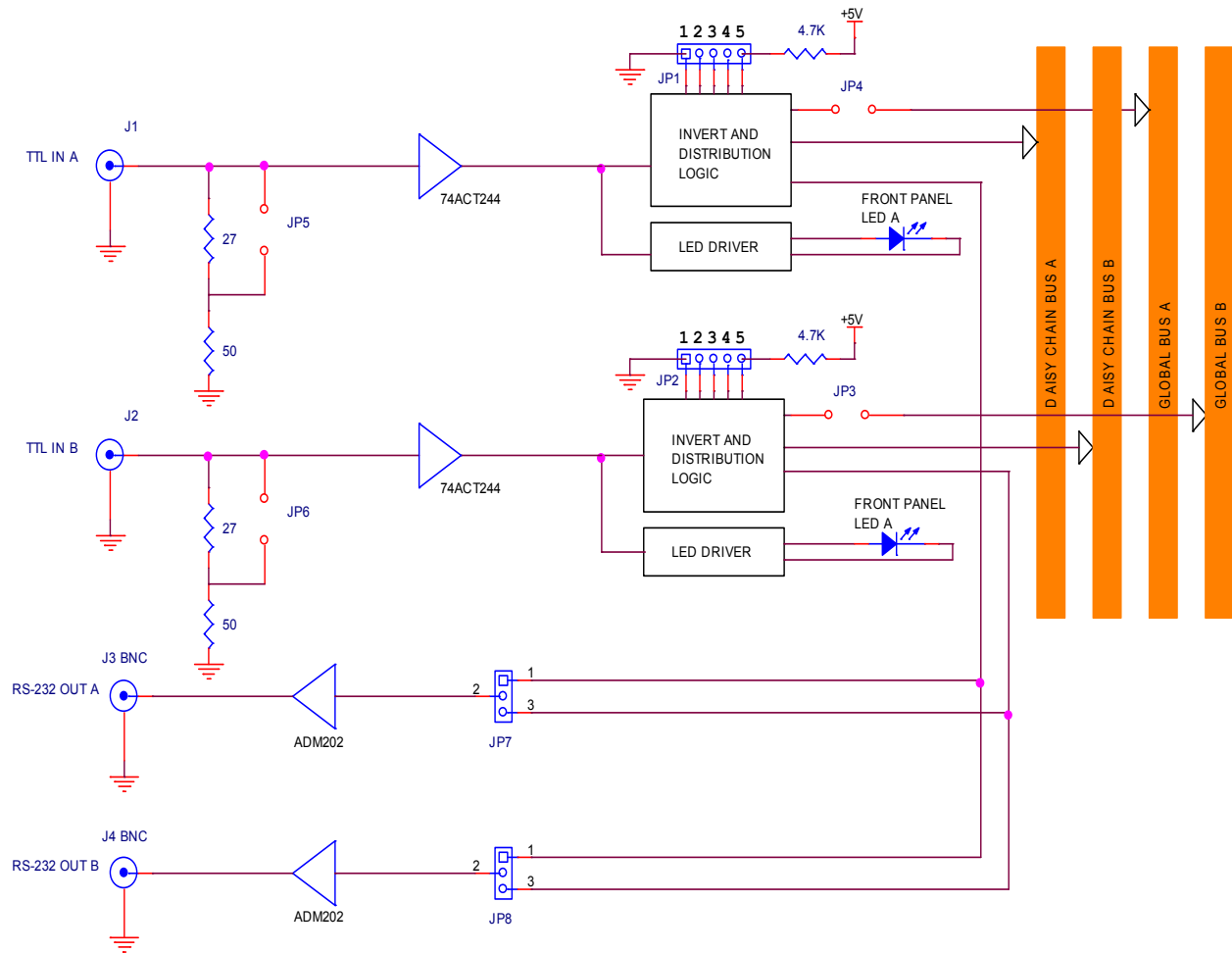


IOC003 Module

OVERVIEW

The IOC003 Pluggable Interface Module (PIM) accepts two TTL Level input signals and produces two RS-232 level output signals. Both output polarities may be inverted independently. The IOC003 uses two BNC input connectors, two BNC output connectors, and operates up to 500 kbps. Input termination is jumper selectable for either 50Ω or 75Ω. The IOC003 can also drive the daisy chain and global buses in the Model 2073 chassis enabling the user to create multiple copies of the output signals. The IOC003 requires one slot of the 14 available slots in the Model 2073 chassis.

JUMPERS	FUNCTION
JP1	Open pins 1-2, Short pins 4-5 to invert TTL IN A Short pins 1-2, Open pins 4-5 for non-inverted TTL IN A
JP2	Open pins 1-2, Short pins 4-5 to invert TTL IN B Short pins 1-2, Open pins 4-5 for non-inverted TTL IN B
JP3	Short pins 1-2 to drive Global Bus B, open to disable
JP4	Short pins 1-2 to drive Global Bus B, open to disable
JP5	Short pins 1-2 for 50 Ω TTL IN A input termination, Open for 75 Ω
JP6	Short pins 1-2 for 50 Ω TTL IN B input termination, Open for 75 Ω
JP7	Short pins 1-2 to send TTL IN A to RS-232 OUT A Short pins 2-3 to send TTL IN B to RS-232 OUT A
JP8	Short pins 1-2 to send TTL IN A to RS-232 OUT B Short pins 2-3 to send TTL IN B to RS-232 OUT B



Model IOC003 Block Diagram

SPECIFICATIONS

GENERAL

2 Independent channels
 Single Slot Module (3" x 6" x 0.9")
 Model 2073 Pluggable Interface Module

INPUT

TTL level inputs
 Two BNC connectors
 50Ω / 75Ω selectable termination

OUTPUT

RS-232 level outputs
 Two BNC connectors

APPLICATION INFORMATION

The IOC003 can be used to convert any 2 TTL level signals to RS-232 level signals. This helps join equipment with unlike interfaces by properly receiving and driving the signals.

The IOC003 can also be used in a distribution application where the daisy chain bus or global bus is used to distribute multiple copies of one or both input signals.

This module can also be plugged into Apogee Models:
 2873: Configurable Interfacer Unit
 6801: 5 Channel BERT Operation
 2073S: Single Module Interfacer Chassis