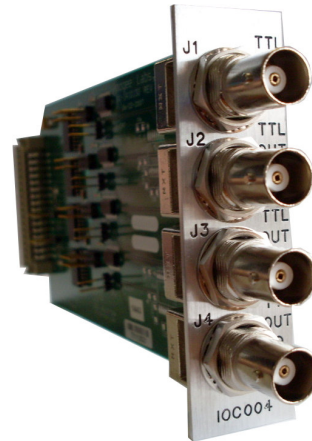




IOC004 TTL OUT MODULE

TTL BNC (4) Outputs



FEATURES

- Four Independent TTL Level Outputs
- Drives Daisy Chain Bus
- Input Data Source, Daisy Chain and/or Global Bus
- Independent Output Polarity Selection
- High Current Outputs

OVERVIEW

The IOC004 Pluggable Interface Module (PIM) outputs four TTL signals with the signal source being either the Daisy Chain and/or the Global bus. The IOC004 uses four BNC output connectors and operates up to 35 Mbps. The IOC004 also drives signals to the Daisy Chain bus allowing for multiple copies of a single or dual TTL signal. Typical application is multiple copies of a synchronous PCM data stream which is available on the Daisy and/or Global bus. All output signal polarities may be inverted independently. The IOC004 requires one slot of the 14 available in the Model 2073 chassis.

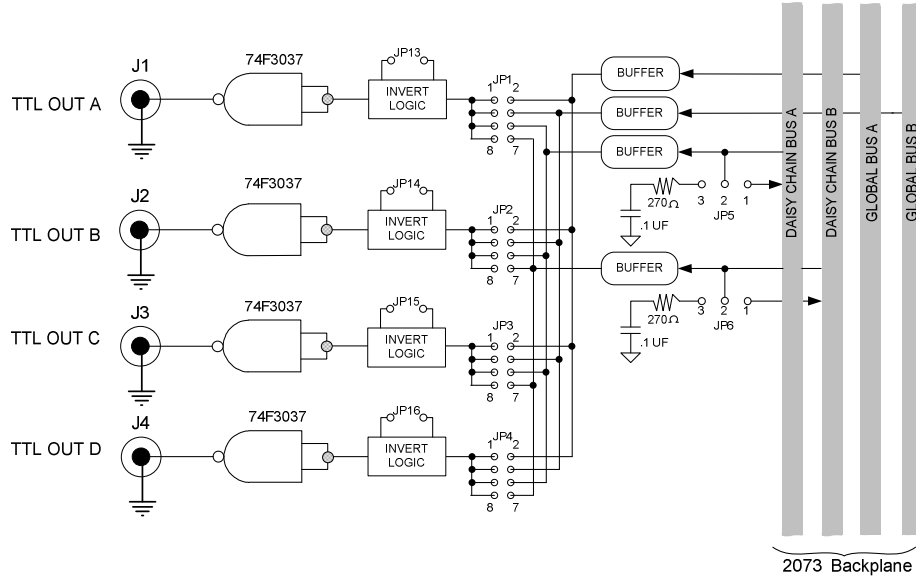


Figure 1: Model IOC004 Block Diagram

JUMPERS	SHORT	OPEN	FUNCTION
JP1, JP2, JP3, JP4	1 to 2	All others	Select Global Bus A for Corresponding Output
	3 to 4	All others	Select Global Bus B for Corresponding Output
	5 to 6	All others	Select Daisy Chain Bus A for Corresponding Output
	7 to 8	All others	Select Daisy Chain Bus B for Corresponding Output
JP5	1 to 2	2 to 3	Loop Daisy Chain Bus A to next card
	2 to 3	1 to 2	Terminate Daisy Chain Bus A
JP6	1 to 2	2 to 3	Loop Daisy Chain Bus B to next card
	2 to 3	1 to 2	Terminate Daisy Chain Bus B
JP13, JP14, JP15, JP16	Invert	Normal	Corresponding TTL Out

SPECIFICATIONS

GENERAL

4 Independent TTL output channels
 Single Slot Module (3" x 6" x 0.9")
 Model 2073 Pluggable Interface Module

INPUT

Daisy Chain, Global Bus

OUTPUT

TTL level outputs
 BNC connectors
 High Current

APPLICATION INFORMATION

The IOC004 is used in distribution applications where the daisy chain bus and/or global bus are used as a signal source to distribute multiple copies of one or both input signals. When used with the IOC001, synchronous TTL PCM can be received and driven to the Daisy Chain bus via the IOC001 and then provided to the IOC004 creating 2 copies of the original data/clock signal.

This helps join equipment with unlike interfaces by properly receiving and driving the signals.

This module can also be plugged into Apogee Model:

- 2873: Configurable Interface Unit
- 2073S: Single slot Interfacer chassis