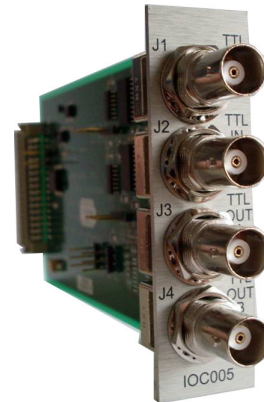




IOC005 TTL TO TTL CONVERTER MODULE

TTL BNC (2) Inputs, TTL BNC (2) Outputs



FEATURES

- Two Independent TTL Level Inputs
- Two Independent TTL Level Outputs
- Inputs Illuminate Front Panel LED's
- Selectable Input Termination (50 Ω and 75 Ω)
- Drives Daisy Chain and Global Bus
- High Current Outputs
- Independent Polarity Selection
- Operates up to 35Mbps

OVERVIEW

The IOC005 Pluggable Interface Module (PIM) accepts two TTL level input signals and produces two TTL level output signals. Both output polarities may be inverted independently. The IOC005 uses two BNC input connectors, two BNC output connectors, and operates up to 35Mbps. Input termination is jumper selectable for either 50 Ω or 75 Ω . A valid input to J1 of the IOC005 will illuminate the corresponding "A" LED on the 2073 chassis while a valid input on J2 will illuminate the corresponding "B" LED on the 2073 chassis. The IOC005 can also drive the daisy chain and global buses in the Model 2073 chassis enabling the user to create multiple copies of the output signals. The IOC005 requires one slot of the 14 available slots in the Model 2073 chassis.

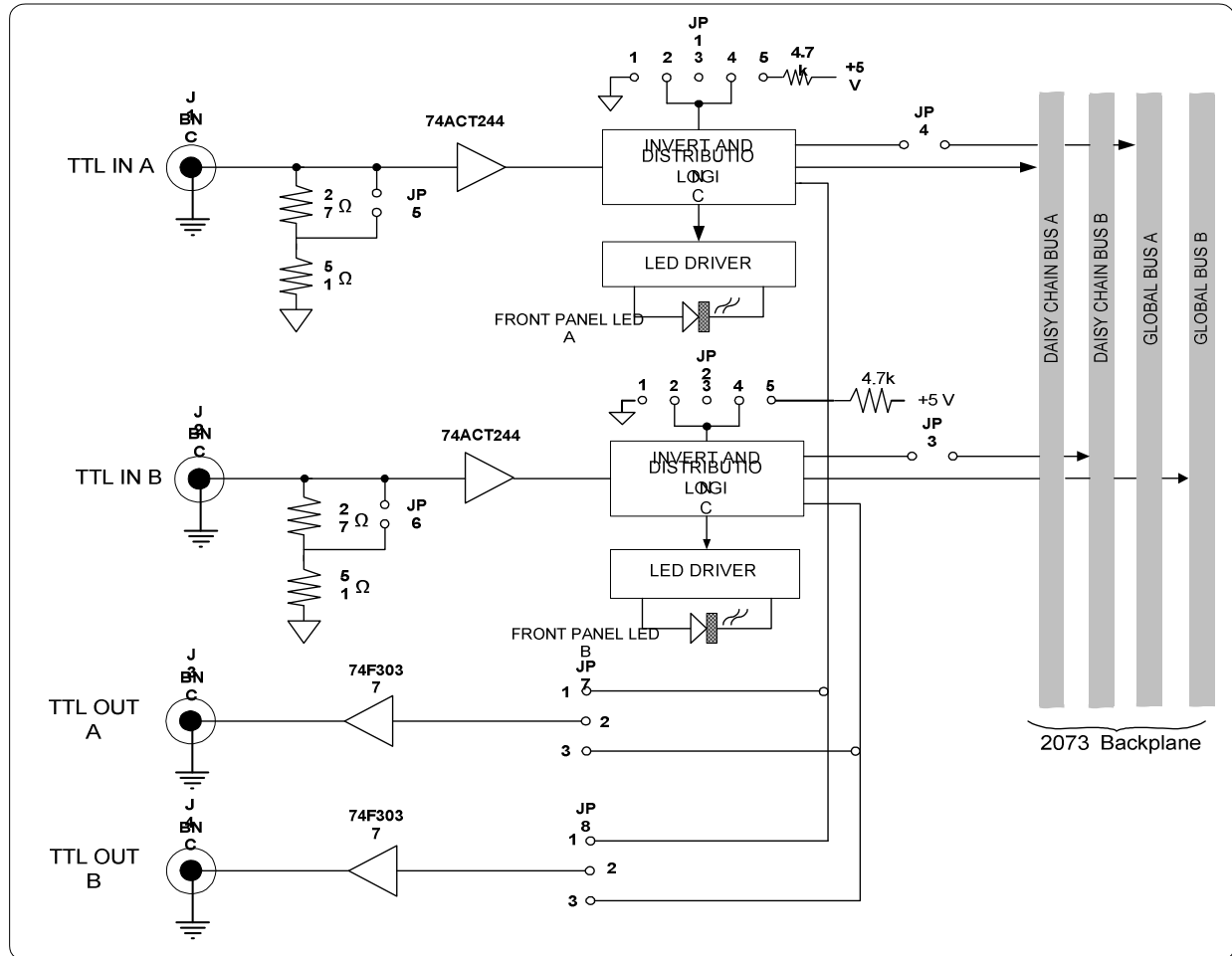


Figure 1: Model IOC005 Block Diagram

SPECIFICATIONS

GENERAL

2 Independent channels
 Single Slot Module (3" x 6" x 0.9")
 Model 2073 Pluggable Interface Module

INPUT

TTL level inputs
 Two BNC connectors
 50Ω / 75Ω selectable termination

OUTPUT

TTL level outputs
 Two BNC connectors

APPLICATION INFORMATION

The IOC005 can be used to convert any two TTL level signals to two TTL level signals. This helps join equipment with unlike interfaces by properly receiving and driving signals.

The IOC005 can also be used in a distribution application where the Daisy Chain Bus or Global Bus is used to distribute multiple copies of one or both input signals.

This module can also be plugged into Apogee Models:

2907 and 2908: Data Acquisition Mux/Demux

6801: 5 Channel BERT Operation

6804: Multi Channel Clock Recovery Unit

2873: Configurable Interface Unit