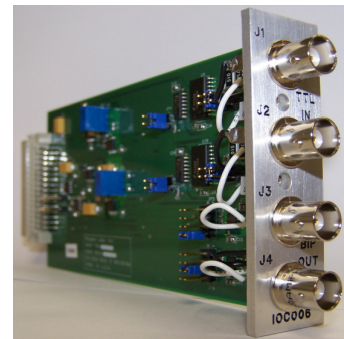


## MODEL 2073 INTERFACER PRODUCT LINE

# IOC006

## TTL INPUT TO BIPOLAR OUTPUT MODULE



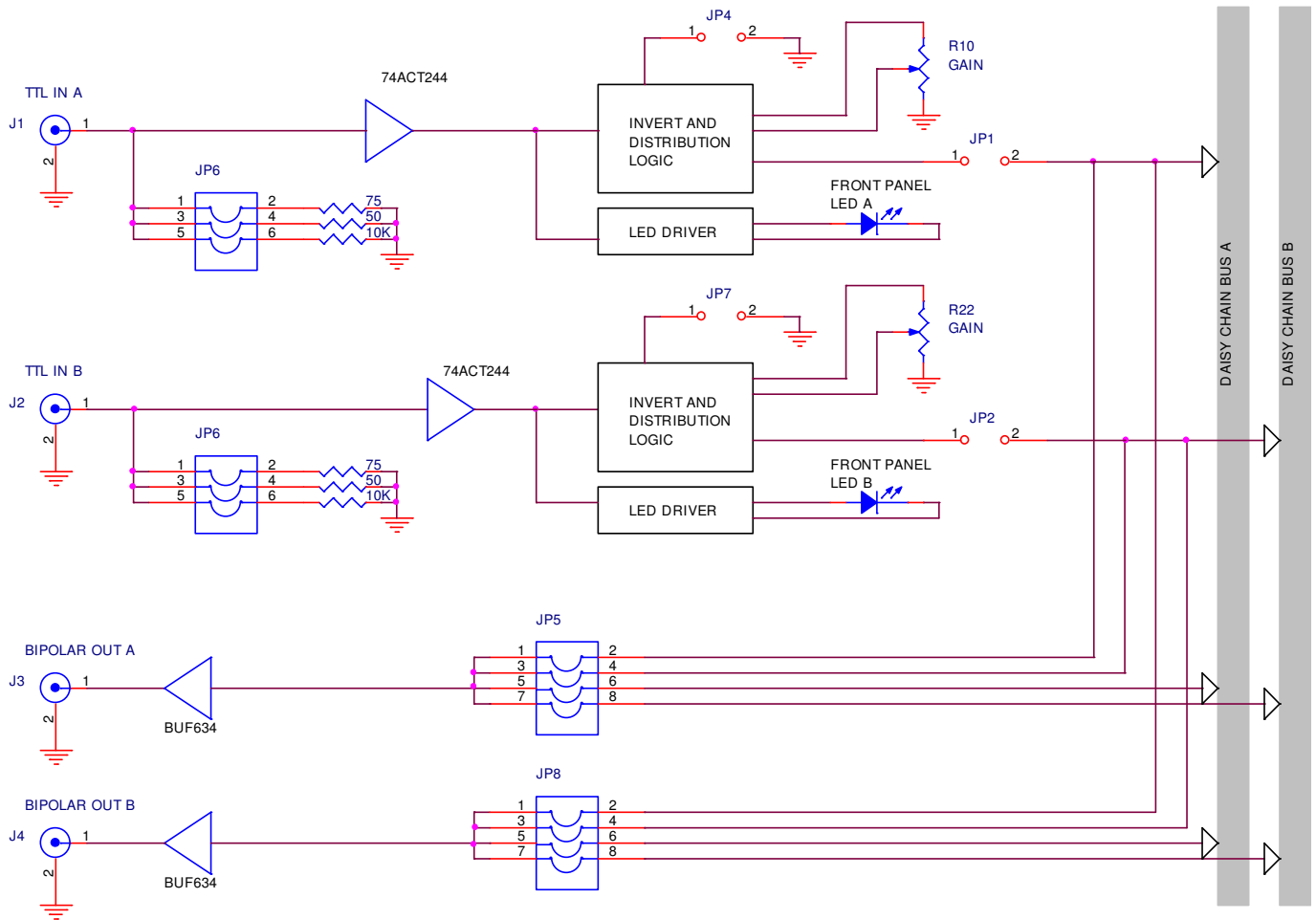
### FEATURES

- Two Independent TTL Level Inputs
- Two Independent BiPolar Outputs
- Drives Daisy Chain Bus
- Operates up to 10Mbps
- Selectable Input Termination (50 Ohm/75 Ohm/10 KOhm)
- Inputs Illuminate Front Panel LEDs
- Independent Output Polarity Selection
- Output Level Adjustment
- 

### OVERVIEW

The IOC006 Pluggable Interface Module accepts two TTL level input signals and produces two BiPolar output signals. Both output polarities may be inverted independently. The level for each output adjustment is located under the respective TTL input BNC. The IOC006 uses two BNC input connectors, two BNC output connectors and operates up to 10 Mbps. The IOC006 also drives signals to the Daisy Chain bus allowing for multiple copies of a single or dual TTL signal. The IOC006 requires one slot of the 14 available in the Model 2073.

JUMPERS	FUNCTION
JP4	Short pins 1-2 to invert TTL IN A
JP7	Short pins 1-2 to invert TTL IN B
JP1	Short pins 1-2 to drive Daisy Chain Bus A, open to disable
JP2	Short pins 1-2 to drive Daisy Chain Bus B, open to disable
JP3	Short pins 1-2 for 75 $\Omega$ TTL IN A input termination Short pins 3-4 for 10 $\Omega$ TTL IN A input termination Short pins 5-6 for 10K $\Omega$ TTL IN A input termination
JP6	Short pins 1-2 for 75 $\Omega$ TTL IN B input termination Short pins 3-4 for 10 $\Omega$ TTL IN B input termination Short pins 5-6 for 10K $\Omega$ TTL IN B input termination
JP5	Short pins 1-2 to output TTL IN A Short pins 2-3 to output TTL IN B
JP8	Short pins 1-2 to output TTL IN A Short pins 2-3 to output TTL IN B



**Figure 1: Model IOC006 Block Diagram**

**SPECIFICATIONS**

**GENERAL**

- 2 Independent TTL input channels
- 2 Independent BiPolar output channels
- Single Slot Module (3" x 6" x 0.9")
- Model 2073 Pluggable Interface Module

**INPUT**

Daisy Chain

**OUTPUT**

- BiPolar adjustable output (0V-10Vp-p)
- BNC connectors

**APPLICATION INFORMATION**

The IOC006 can be used to convert any 2 TTL level signals to BiPolar signals. This helps join equipment with unlike interfaces by properly receiving and driving the signals.

The IOC006 can also be used in a distribution application where the Daisy Chain bus is used to distribute multiple copies of one or both input signals. This module can also be plugged into Apogee Models:

- 2873: Configurable Interface Unit
- 2907 and 2908: Data Acquisition Mux/Demux
- 6801: 5 Channel BERT Operations

Apogee Labs Inc. products are sold by description only. Apogee Labs Inc. reserves the right to make changes in circuit design, software, hardware and/or specifications at any time without notice. Although Apogee Labs Inc. believes that the information provided is current and accurate, Apogee Labs Inc. does not assume any responsibility or liability for the use of any product described. It is the responsibility of the user to determine appropriate use of the product in any given application