

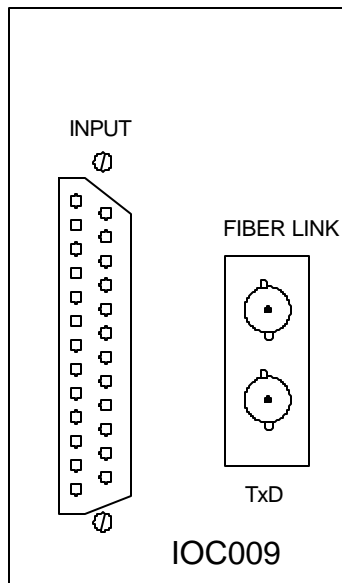
2073 Pluggable Interface Modules

July 18, 2002

D-25 TTL IN / FIBER OUT

The IOC009 PIM accepts up to 16 parallel data bits, up to three clocks and produces a multiplexed serial fiber optic data stream. The maximum input data rate is a 100k word rate with 16 bits per word (1.6M bits per word). The IOC009 uses a D-25 input connector and a multimode fiber optic transceiver with an ST-type connector.

The IOC009 requires two of the 14 available slots in the Model 2073 chassis and will illuminate the front panel A LED when there is an active command data output and illuminate the front panel B LED when there is an IOC009 present in that slot.



Input:

- 16 data channels
- 3 clock channels
- 50 ohm or 75 ohm termination (clocks only)

Output:

- Multimode fiber / ST connector

Chassis:

- Model 2073-012

Price Class:

- Class IV