

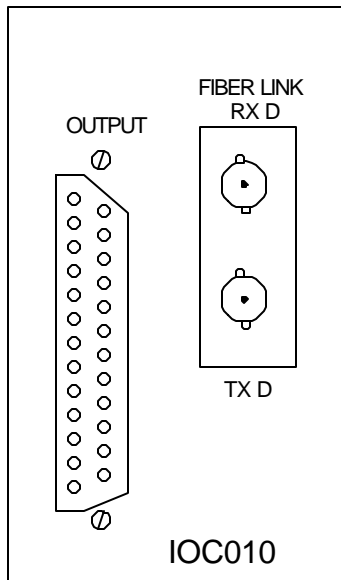
2073 Pluggable Interface Modules

July 18, 2002

FIBER IN / D-25 TTL OUT

The IOC010 PIM accepts a multiplexed serial fiber optic data stream from the IOC009 PIM and recreates up to 16 parallel data bits and three clocks. The maximum output data rate is a 100k word rate with 16 bits per word. The IOC010 uses a multimode fiber optic transceiver input with ST-type connectors and a D-25 output connector.

The IOC010 requires two of the 14 available slots in the Model 2073 chassis and will illuminate the front panel A LED when there is an active command data input and illuminate the front panel B LED when there is an active fiber optic signal input. The IOC010 will also drive an exact replica of the received fiber optic signal.



Input:

- Multimode fiber / ST connector

Output:

- 16 data channels
- 3 clock channels
- Multimode fiber / ST connector

Chassis:

- Model 2073-012

Price Class:

- Class IV