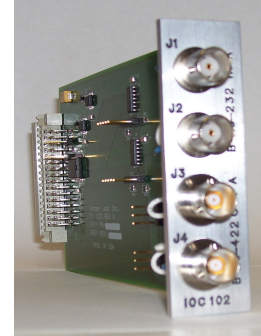




IOC102 RS-232 TO RS-422 CONVERTER MODULE



FEATURES

- Two Independent RS-232 Level Inputs
- Independent inputs meet EIA-232E specifications
- Two Independent RS-422 Outputs
- High current outputs meet ANSI TIA/EIA-422B requirement
- Drives Daisy Chain Bus and Global Bus
- Operates up to 500 kbps
- Inputs illuminate front panel LEDs
- Independent Output Polarity selection

OVERVIEW

The IOC102 Pluggable Interface Module accepts two RS-232 level input signals and produces two RS-422 output signals. Both output polarities may be inverted independently. The IOC102 uses two BNC input connectors, two Triax output connectors and operates up to 500 kbps. The IOC102 also drives signals to the Daisy Chain bus and Global bus allowing for multiple copies of a single or dual TTL signal. The IOC102 requires one slot of the 14 available in the Model 2073.

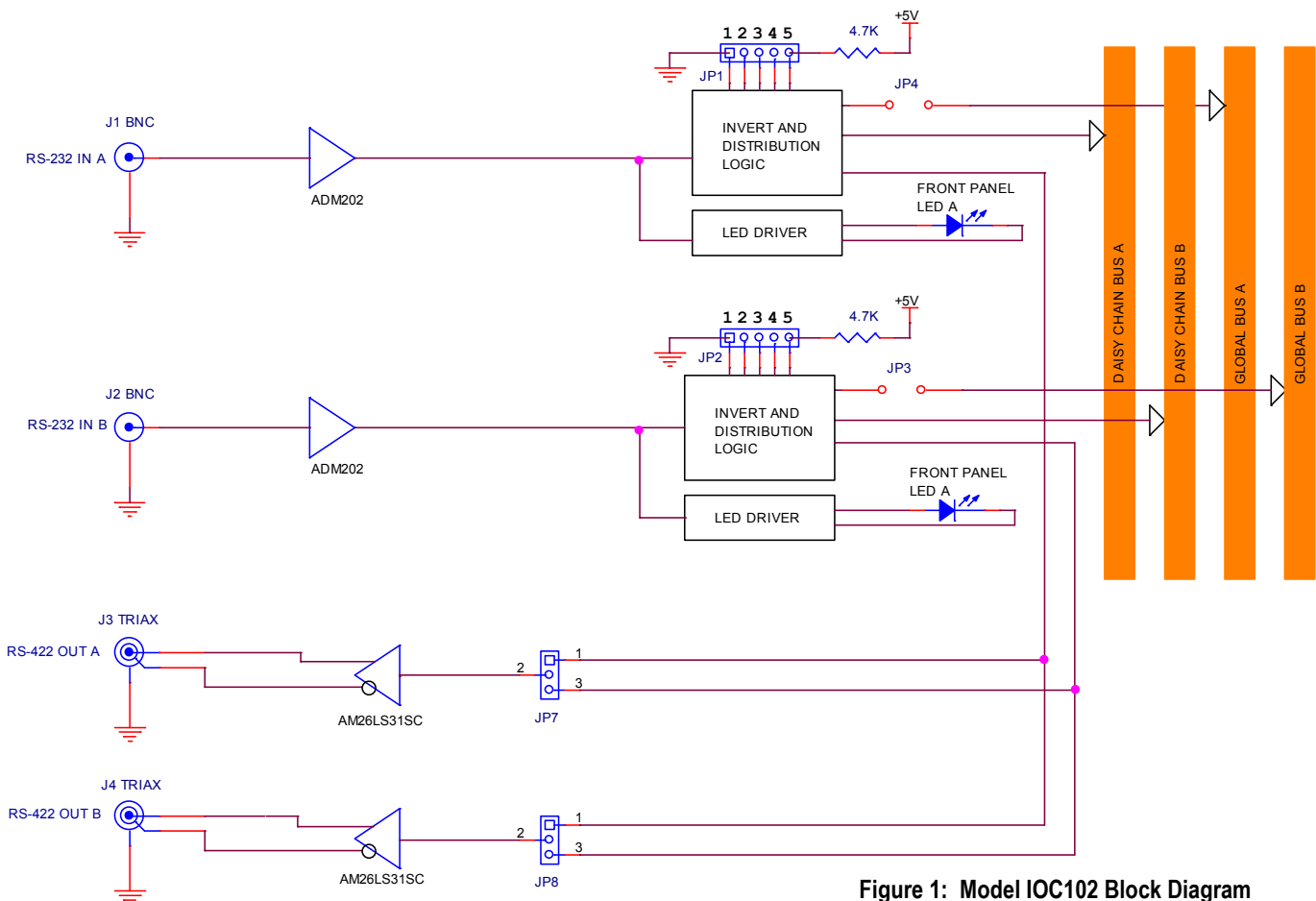


Figure 1: Model IOC102 Block Diagram

JUMPERS	FUNCTION
JP1	Open pins 4-5, Short pins 1-2 to non-invert RS-232 IN A Open pins 1-2, Short pins 4-5 to invert RS-232 IN A
JP2	Open pins 4-5, Short pins 1-2 to non-invert RS-232 IN B Open pins 1-2, Short pins 4-5 to invert RS-232 IN B
JP3	Short pins 1-2 to drive Global Bus B, open to disable
JP4	Short pins 1-2 to drive Global Bus A, open to disable
JP7	Short pins 1-2 to send RS-232 IN A to RS-422 OUT A Short pins 2-3 to send RS-232 IN B to RS-422 OUT A
JP8	Short pins 1-2 to send RS-232 IN A to RS-422 OUT B Short pins 2-3 to send RS-232 IN B to RS-422 OUT B

SPECIFICATIONS

GENERAL

2 Independent RS-232 input channels
 2 Independent RS-422 output channels
 Single Slot Module (3" x 6" x 0.9")
 Model 2073 Pluggable Interface Module

INPUT

RS-232 Level Inputs
 BNC Connectors

OUTPUT

RS-422 Level Outputs
 Triax connectors

APPLICATION INFORMATION

The IOC102 can be used to convert any two RS-232 level signals to two RS-422 signals. This helps join equipment with unlike interfaces by properly receiving and driving the signals.

The IOC102 can also be used in a distribution application where the Daisy Chain bus and Global bus is used to distribute multiple copies of one or both input signals. This module can also be plugged into Apogee Models:

2907 and 2908: Data Acquisition Mux/Demux
 6801: 5 Channel BERT Operation
 6804: Multi Channel Clock Recovery Unit