

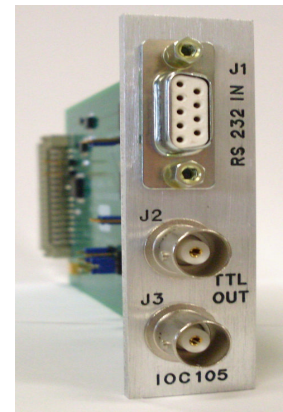


IOC105 RS-232 TO TTL CONVERTER MODULE

RS-232 DE-9S (2) Inputs, TTL BNC (2) Outputs

FEATURES

- Two Independent RS-232 Level Inputs
- Two Independent TTL Level Outputs
- Inputs Illuminate Front Panel LED's
- Drives Daisy Chain and Global Bus
- Independent Polarity Selection
- Operates up to 500 kbps

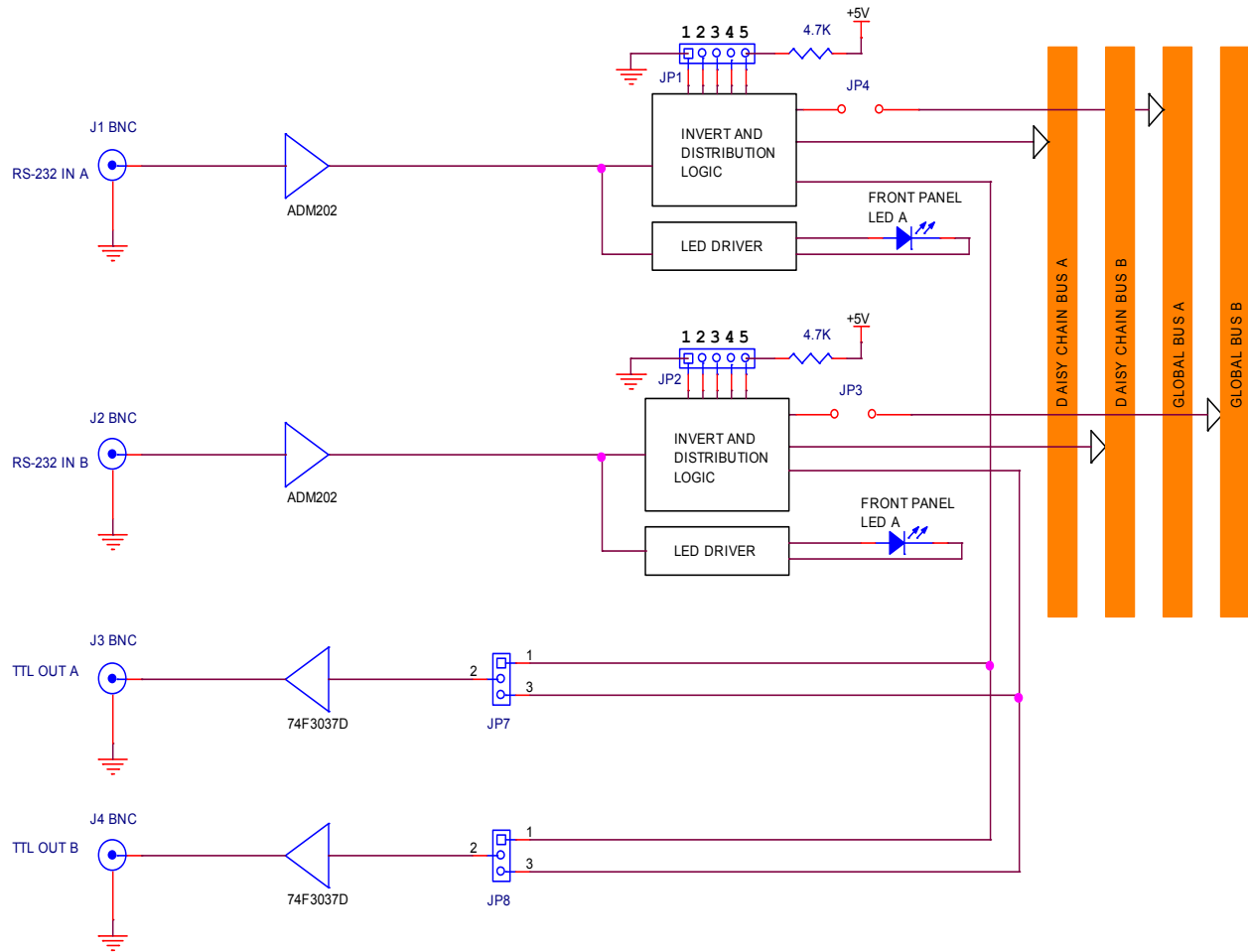


IOC105 Module

OVERVIEW

The IOC105 Pluggable Interface Module (PIM) accepts two RS-232 Level input signals and produces two TTL level output signals. Both output polarities may be inverted independently. The IOC105 uses one DE-9S input connector, two BNC output connectors, and operates up to 500 kbps. The IOC105 can also drive the daisy chain and global buses in the Model 2073 chassis enabling the user to create multiple copies of the output signals. The IOC105 requires one slot of the 14 available slots in the Model 2073 chassis.

JUMPERS	FUNCTION
JP1	Open pins 1-2, Short pins 4-5 to invert RS-232 IN A Short pins 1-2, Open pins 4-5 for non-inverted RS-232 IN A
JP2	Open pins 1-2, Short pins 4-5 to invert RS-232 IN B Short pins 1-2, Open pins 4-5 for non-inverted RS-232 IN B
JP3	Short pins 1-2 to drive Global Bus B, open to disable
JP4	Short pins 1-2 to drive Global Bus B, open to disable
JP7	Short pins 1-2 to send RS-232 IN A to TTL OUT A Short pins 2-3 to send RS-232 IN B to TTL OUT A
JP8	Short pins 1-2 to send RS-232 IN A to TTL OUT B Short pins 2-3 to send RS-232 IN B to TTL OUT B



Model IOC105 Block Diagram

SPECIFICATIONS

GENERAL

2 Independent channels
 Single Slot Module (3" x 6" x 0.9")
 Model 2073 Pluggable Interface Module

INPUT

RS-232 level inputs
 One DE-9S connector

OUTPUT

TTL level outputs
 Two BNC connectors

APPLICATION INFORMATION

The IOC105 can be used to convert any 2 RS-232 level signals to TTL level signals. This helps join equipment with unlike interfaces by properly receiving and driving the signals.

The IOC105 can also be used in a distribution application where the daisy chain bus or global bus is used to distribute multiple copies of one or both input signals.

This module can also be plugged into Apogee Models:

2873: Configurable Interfacer Unit
 6801: 5 Channel BERT Operation
 2073S: Single Module Interfacer Chassis