



**IOC204**  
**(4) OUTPUT RS-422**  
**DISTRIBUTION MODULE**

**TRIAx (4) Outputs**

**FEATURES**

- Four independent RS-422 level outputs
- Drives daisy chain bus
- Input data source from daisy chain and / or global bus
- Selectable Input Termination (50 $\Omega$  and 75 $\Omega$ )
- Drives Daisy Chain and Global Bus
- High Current Outputs
- Independent Polarity Selection
- Operates up to 35Mbps



**OVERVIEW**

The IOC204 module generates four RS-422 signals which are received from the daisy chain and/or global bus in the AL2073 chassis. All output polarities may be inverted independently. The IOC204 uses four triax output connectors and operates up to 35 Mbps. It can also drive the daisy chain or global bus providing additional signal distribution capability. The IOC204 requires one slot of the 14 available slots in the Model AL2073 chassis.

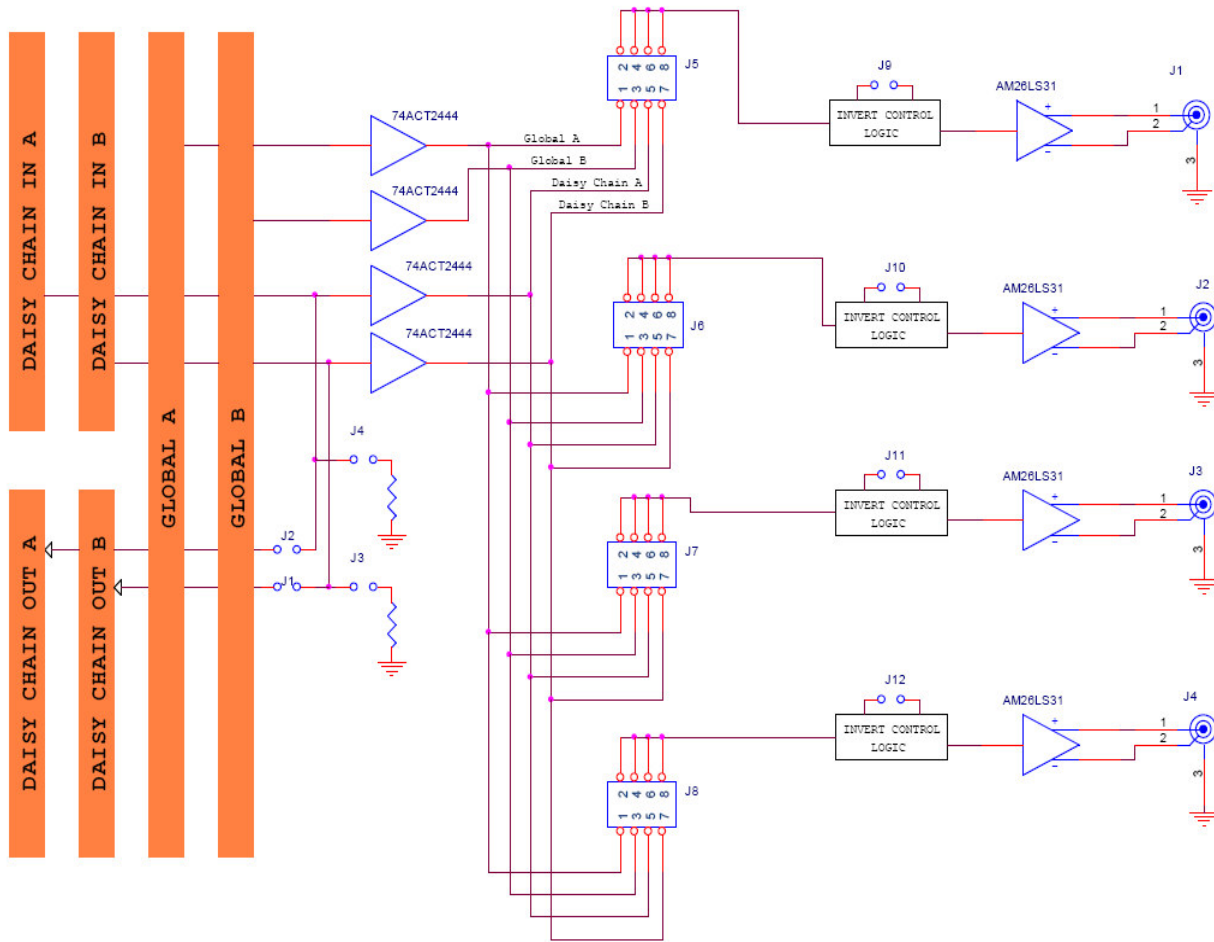


Figure 1: Model IOC204 Block Diagram

**SPECIFICATIONS**

**GENERAL**

4 Independent output channels  
 Single Slot Module (3" x 6" x 0.9")  
 Model AL2073 Pluggable Interface Module

**INPUT**

Daisy chain bus  
 Global bus

**OUTPUT**

RS-422 level outputs  
 Four triax connectors (Trompeter Part Number BJ770)

**APPLICATION INFORMATION**

The IOC204 is used to drive 4 each RS-422 signals in a distribution application where the daisy chain bus or global bus is used as a data source. The initial input data source is another PIM co-located in the AL2073 chassis. See Table 1 for configuration information.

This module can also be plugged into Apogee Models:  
 AL2873: Configurable Interface Unit  
 6801: 5 Channel BERT Operation  
 6804: Multi Channel Clock Recovery Unit