

MODEL 2073 INTERFACER PRODUCT LINE
July 11, 2003

IOC212
RS-422 to Adjustable Digital
CONVERTER MODULE



Rear view

Side view

RS-422 Triax (2) Input, Digital BNC (2) Output

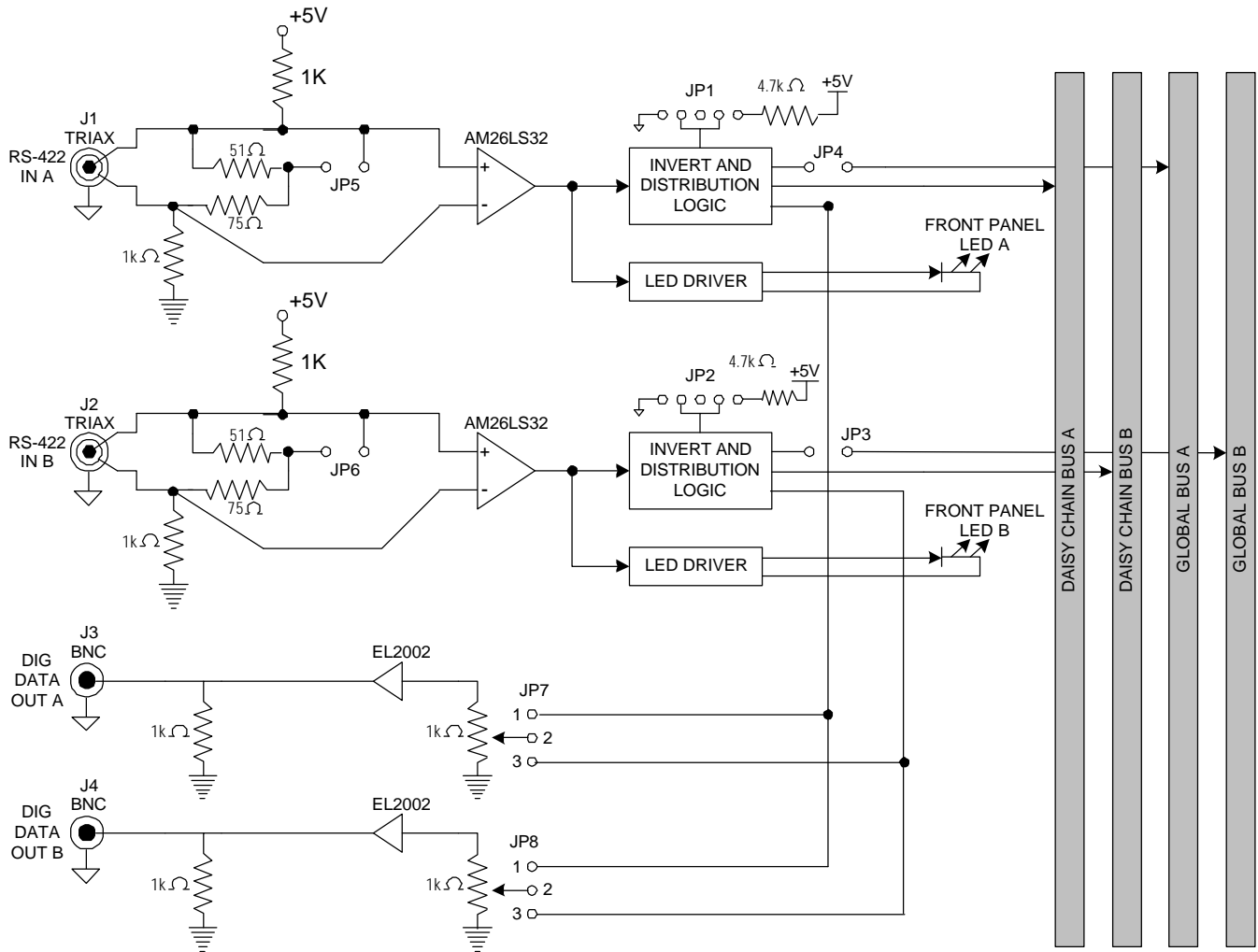
FEATURES

- Two Independent RS-422 level inputs
- Two Independently Adjustable Digital level outputs (0-3V)
- Inputs illuminate front panel LEDs
- Drives Daisy Chain Bus and Global Bus
- Independent output polarity selection
- High current outputs

OVERVIEW

The IOC212 Pluggable Interface Module (PIM) receives two independent RS-422 input signals and buffers them to two independent and adjustable Digital output signals. Digital output levels are independently adjustable from 0-3V p-p referenced to earth ground. Each output signal source is switch selectable between either of the two inputs, allowing the possibility for one input to drive both high current outputs. Through the use of the Daisy Chain and/or global Bus structure of the Model 2073 chassis and combined with any number of output only modules, the IOC212 can be used in signal distribution and protocol conversion applications. The IOC212 uses industry standard connectors, operates up to 35 Mbps and requires one of the fourteen available slots in the Model 2073 chassis.

BLOCK DIAGRAM



Jumpers	Function
JP1	Open pins 1-2, Short pins 4-5 to invert TTL IN A Short pins 1-2, Open pins 4-5 for non-inverted TTL IN A
JP2	Open pins 1-2, Short pins 4-4 to invert TTL IN B Short pins 1-2, open pins 4-5 for non-inverted TTL IN B
JP3	Short pins 1-2 to drive Global Bus B, Open to disable
JP4	Short pins 1-2 to drive Global bus A, Open to disable
JP5	Short pins 1-2 for 50ohm TTL IN A input termination, Open for 75 ohm
JP6	Short pins 1-2 for 50ohm TTL IN B input termination, Open for 75 ohm
JP7	Short pins 1-2 to send RS-422 IN B to Digital Data OUT A Short pins 2-3 to send RS-422 IN A to Digital Data OUT A
JP8	Short pins 1-2 to send RS-422 IN B to Digital Data OUT B Short pins 2-3 to send RS-422 IN A to Digital Data OUT B

SPECIFICATIONS

GENERAL

2 Independent channels
Single Slot Module (3" x 6" x 0.9")
Model 2073 Pluggable Interface Module

INPUT

RS-422 Level Inputs
TRIAx Connectors
75/120-ohm selectable termination

OUTPUT

Digital Level Adjustable (0-3V p-p)
BNC Connectors

APPLICATION INFORMATION

The IOC212 can be used to convert any 2 RS-422 level signals to 2 Digital level signals with amplitudes adjustable between 0 and 3V p-p. This helps join equipment with unlike interfaces by properly receiving and driving the signals.

The IOC212 can also be used in a distribution application where the daisy chain bus or global bus is used to distribute multiple copies of one or both input signals.

This module can also be plugged into Apogee Models:
2097 and 2098: *Data Acquisition Mux/Demux*
6801: *5 Channel BERT Operation*
6804: *Multi Channel Clock Recovery Unit*