

MODEL 2073 PRODUCT LINE

IOC307

**DIFFERENTIAL
NEGATIVE ECL INPUT TO
SINGLE ENDED
NEGATIVE ECL OUTPUT
CONVERTER MODULE**

REAR VIEW



SIDE VIEW

FEATURES

- Differential NECL Input (-0.8V to -1.8V)
- Single Ended NECL Output (-0.8V to -1.8V)
- Up to 500 Mbit operation
- Front Panel Input Activity indicator
- Industry standard Input/Output connectors

OVERVIEW

The IOC307 Pluggable Interface Module (PIM) is an active device that receives and terminates a Differential Negative ECL (NECL) input and drives it to a Single Ended NECL output. The IOC307 uses four SMA input connectors and two SMA output connectors and operates to 500 Mbits. The IOC307 requires two slots of the 14 available slots in the Model 2073 chassis.

Note: There are no user-configurable settings on this module.

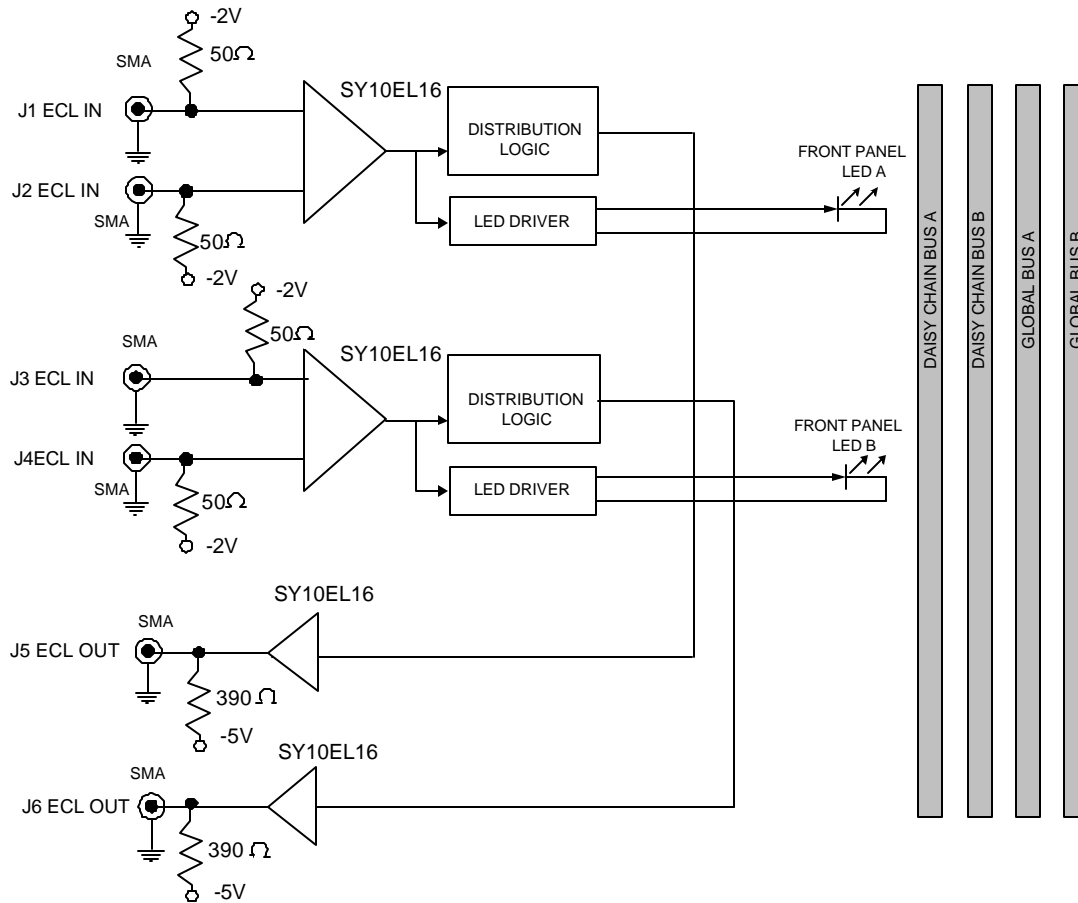


Figure 1: Model IOC307 Block Diagram

SPECIFICATIONS

GENERAL

Dual Slot Module (3" x 6" x 1.8")
 +5V, -5V, -2V
 500 Mbit operation
 Illuminate the A and B front panel LED's

INPUT

2 Differential NECL (-0.8V to -1.8V)
 SMA connectors

OUTPUT

2 Single Ended NECL (-0.8V to -1.8V)
 SMA connectors

APPLICATION INFORMATION

The IOC307 is used to convert two separate Differential ECL signals into two separate single ended ECL signals. Typical application is to convert Differential ECL data and clock to single ended ECL data and clock.

This joins equipment with unlike interfaces by properly receiving and driving the signals.

This module can be plugged into Apogee Models:

2097 and 2098: Data Acquisition Mux/Demux
 6801: 5 Channel BERT Operation
 6804: Multi Channel Clock Recovery Unit

FRONT PANEL LED FUNCTIONS

LED A illuminates when there is active differential NECL input on the J1 and J2 inputs

LED B illuminates when there is active differential NECL input on the J3 and J4 inputs