



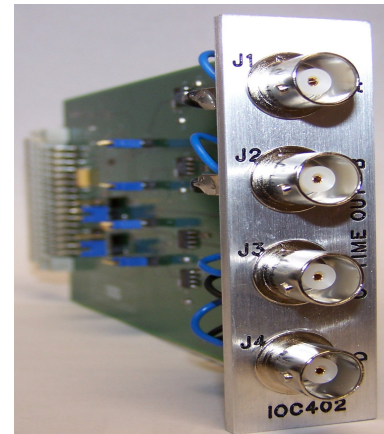
## IOC402 IRIG TIME OUTPUT MODULE

### FEATURES

- Four independent analog IRIG time level outputs
- 1 KHz to 100 KHz bandwidth
- High current outputs
- IRIG-A, B, D, E, G, H compatible
- NASA 36 compatible

### OVERVIEW

The IOC402 Pluggable Interface Module accepts two IRIG time code signals from the AL2073 daisy chain bus, and produces four IRIG time code output signals. The IOC402 uses four BNC output connectors and operates up to 100 kHz. The IOC402 drives the daisy chain bus of the AL2073 chassis allowing additional IOC402 cards to be installed for additional signal distribution. The IOC402 requires one slot of the 14 available slots in the Model 2073 chassis.



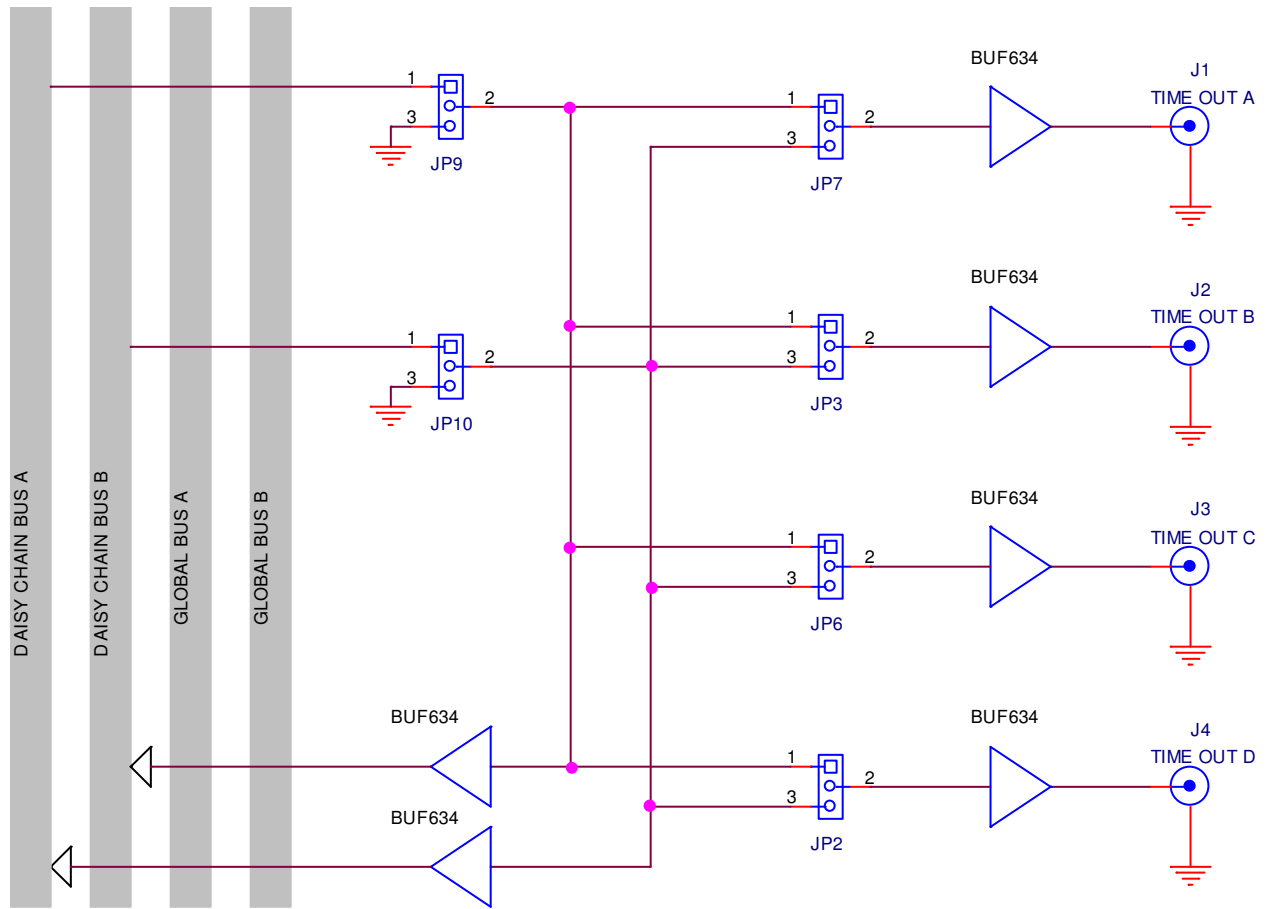


Figure 1: Model IOC402 Block Diagram

**SPECIFICATIONS**

**GENERAL**

4 Independent channels  
 Single Slot Module (3" x 6" x 0.9")  
 Model 2073 Pluggable Interface Module

**OUTPUT**

J1, J2, J3, J4 BNC connectors  
 High current

**APPLICATION INFORMATION**

The IOC402 can be used to accept two IRIG time code signals from the daisy chain bus of the AL2073 chassis and produce four IRIG time code outputs.

This module can also be plugged into Apogee Models:

- AL2907 and AL2908: Data Acquisition Mux/Demux
- AL6801: 5 Channel BERT Operation
- AL6804: Multi Channel Clock Recovery Unit
- AL2873: Configurable Interface Unit