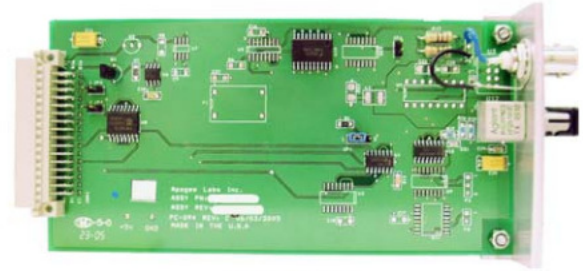


## MODEL 2073 PRODUCT LINE

## IOC560

TTL-TO-OPTICAL  
INTERFACE CONVERTER  
MODULE

REAR VIEW



SIDE VIEW

## FEATURES

## ➤ INPUT

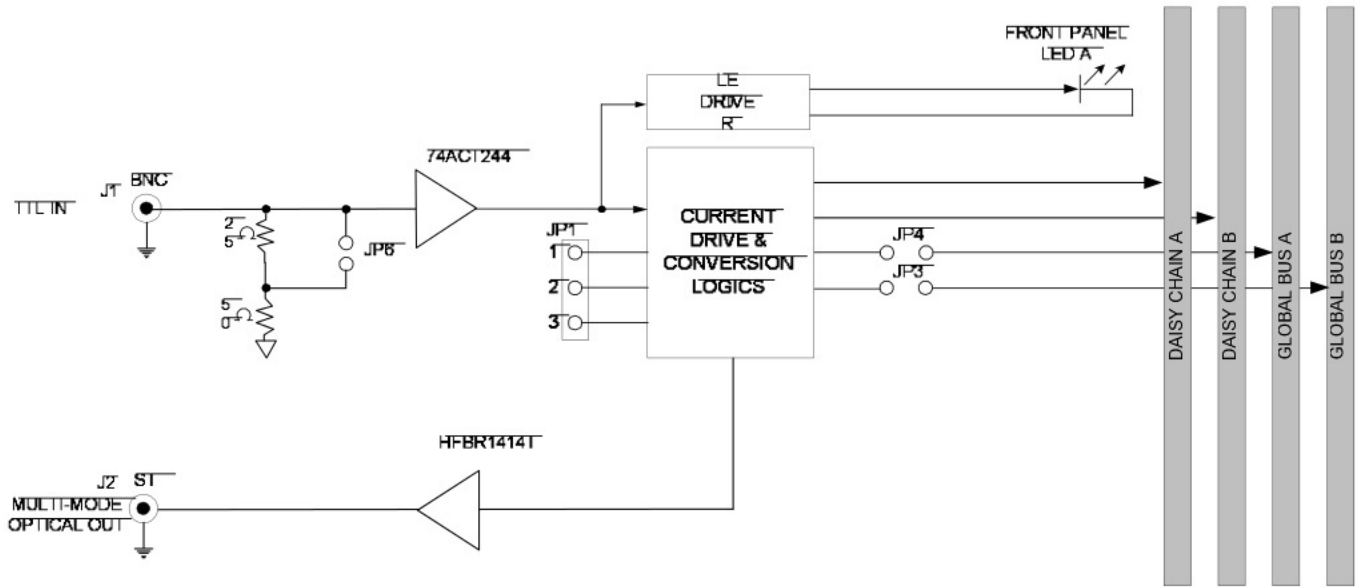
- Single-ended BNC
- Asynchronous TTL 500 Kbps to 35 Mbps
- Illuminates LED on Front Panel of Chassis
- Drives Daisy Chain and Global Buses
- Input Signal Polarity inversion Control

## ➤ OUTPUT

- ST Multimode Fiber Optic
- 2 KM Operation
- AEL Class 1 LED, Eye Safe

## OVERVIEW

The IOC560 Pluggable Interface Module (PIM) is a TTL-to-Optical converter Module. The IOC560 receives a TTL-level signal, terminates it into 50 or 75 ohms and converts it to a multi-mode optical signal. The IOC560 uses one BNC input connector and one ST fiber optic output connector. TTL input drives the Daisy Chan bus or the Global Bus of the 2073 chassis, enabling the user to create multiple copies of the input data signal. The A LED on the front panel of the 2073 chassis indicates the presence of TTL input data. Optical power is sufficient for links of up to 2 kilometers. The IOC560 requires one of the 14 available slots in the Model 2073 chassis.



**Figure 1: Model IOC560 Block Diagram**

**SPECIFICATIONS**

**GENERAL**

- 1 Independent channel
- 1 Slot Module (3" x 6" x 0.9")
- Model 2073 Pluggable Interface Module

**OUTPUT**

J2 – Fiber Optic 820 nm LED ST

**INPUT**

- J1 – Single Ended BNC
- 500 Kbps – 35 Mbps Asynchronous Data
- TTL Level Inputs
- BNC Connectors

**APPLICATION INFORMATION**

The IOC560 is used with the IOC557 to move asynchronous Telemetry data over multi-mode optical cable. These optical links provide EMI protection of the data signal in the optical transmission path and communications links of 2 kilometers.

This module can also be plugged into Apogee Models:

- 2907 and 2908: Data Acquisition Mux/Demux
- 6801: 5 Channel BERT Operation
- 6804: Multi Channel Clock Recovery

**JUMPERS**

Jumper	Assignment
JP1	TTL IN Polarity (J1), 1-2: Normal, 2-3: Inverted
JP3	Short to drive Global Bus B
JP4	Short to drive Global Bus A T
JP6	Input Termination Shorted: 50 ohm, Not Shorted: 75 ohm

Apogee Labs Inc. products are sold by description only. Apogee Labs Inc. reserves the right to make changes in circuit design, software, hardware and/or specifications at any time without notice. Although Apogee Labs Inc. believes that the information provided is current and accurate, Apogee Labs Inc. does not assume any responsibility or liability for the use of any product described. It is the responsibility of the user to determine appropriate use of the product in any given application