

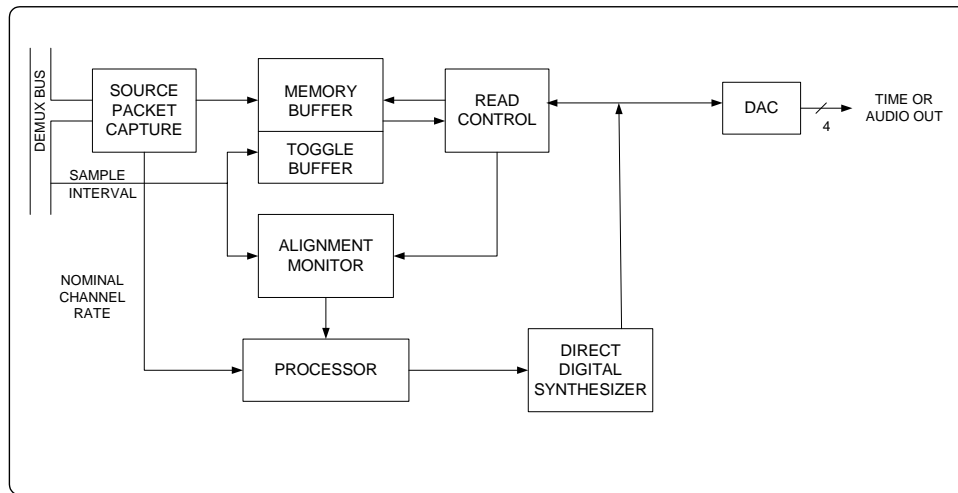
**2022****TAO1****TIME AND AUDIO OUTPUT MODULE****1. FEATURES**

- Single slot module
- 4 Time/Audio Output channels
- IRIG B, NASA-36
- Amplitude Modulation time format compatible
- Easy to operate module
- Programmable Channel ID Tag

**2. OVERVIEW**

The TAO1 output module reconstructs analog time or audio signals that were digitized by a corresponding TAI1 input module in an AL4300 Multiplex unit. The module produces a smooth analog output with the signal time-aligned with other output channels in the demultiplexer.

This module does not require any operator input with the exception of the definition of the Channel Identifier. This Channel ID tag needs to be setup to capture the appropriate source data.



**Figure 1 TAO1 Functional Block Diagram**

### 3. SPECIFICATIONS

#### NUMBER OF CHANNELS

4 Channels on BNC type connectors

#### OUTPUT VOLTAGE RANGE:

6V pk-pk, AC coupled

#### FREQUENCY RESPONSE:

1-3000 Hz

3000 Hz low pass output filter

#### CHANNEL ID

11-bits, 0x000 – 0x7F0

#### COMPATIBILITY

AL4300 MITC Bus

One Chassis Slot Required

Apogee Labs, Inc. sells its products by description only. Apogee Labs, Inc. reserves the right to make changes in circuit design, software, hardware and/or specifications at any time without notice. Although Apogee Labs, Inc. believes that the information provided is current and accurate, Apogee Labs, Inc. does not assume any responsibility or liability for the use of any product described. It is the responsibility of the user to determine appropriate use of the product in any given application.