



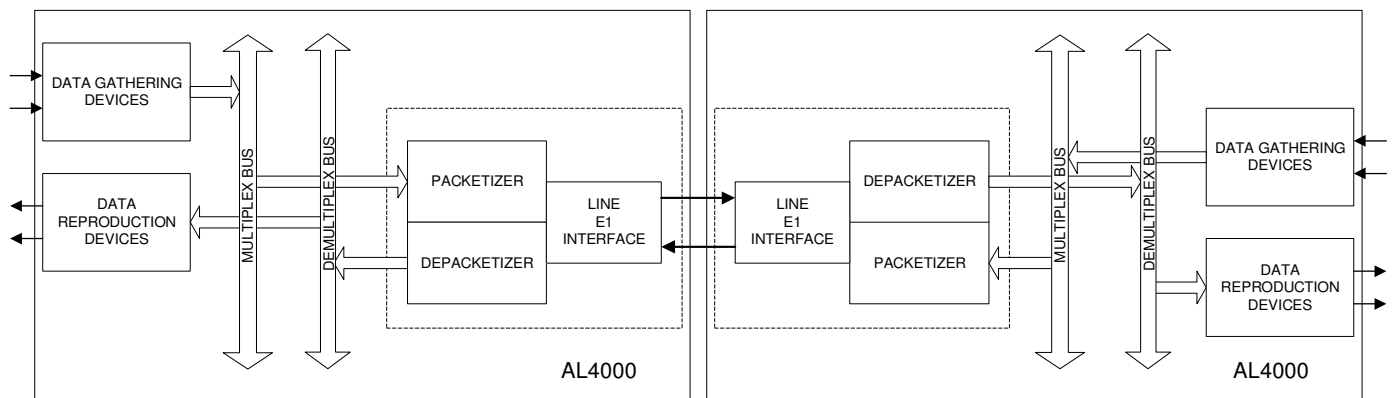
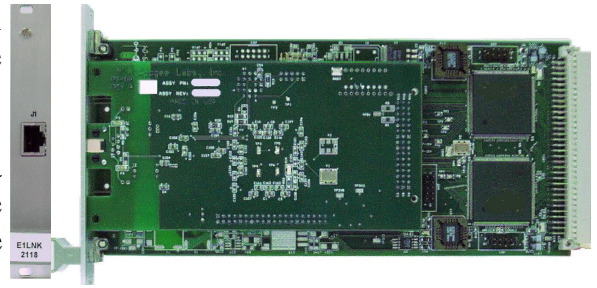
# TECHNICAL NOTE

AL4300 PRODUCT LINE

## MODEL 2118 E1LNK PACKETIZER / DEPACKETIZER WITH E1 DATA LINK INTERFACE

The E1LNK module combines the functions of a full-duplex E1 interface and a packetizer and depacketizer for the Apogee Labs AL4300 series of multiplex / demultiplex systems.

Model 2118 E1LNK modules control the transmission of data from one system to another in the same manner as the standard Apogee Labs packetizer and depacketizer. The intersystem data path is implemented on a daughter card, mounted to the mother card. The data link is an unchannelized E1 interface structure.



These interfaces are designed as point-to-point data-link packetizer and depacketizer devices. The E1LNK modules support system configurations where it is necessary to share data between system nodes that are separated by cable distances of up to 2 km.

### SPECIFICATIONS

- Incorporates Packetizer and Depacketizer
- Generates / Collects Composite Transfer Frames
- Multiplexes / Demultiplexes Source Packets from and to Application Modules
- Supports 1 ms or 10 ms Sample Interval
- Automatic Receive Sensitivity Adjustment
- Line Rate: 2048 Mbps (E1)
- HDB3 Data Coding
- Line Quality Monitor
- Receive Loss of Signal Detection
- G.703 Wave-shape Mask
- G.823 Jitter Requirement
- Transfer Frame Format: 8192 bits / Frame, CCSDS Packet Telemetry Format with Attached Synchronization Pattern

## APOGEE LABS, INC.

210 South Third Street  
North Wales, PA 19454

Phone: 215.699.2060

Fax: 215.699.2061

Email: [sales@apogeelabs.com](mailto:sales@apogeelabs.com)

Internet: [www.apogeelabs.com](http://www.apogeelabs.com)