

**2021****TAI1****TIME AND AUDIO INPUT MODULE****1. FEATURES**

- Single slot module
- 4 Time/Audio INPUT channels
- IRIG B, NASA-36 (auto tracks input)
- Amplitude Modulation time input format compatible
- Easy to operate module
- Programmable Channel ID Tag
- 12 Bits per sample / 8.9k samples per second

2. OVERVIEW

The TAI1 input module receives up to four analog time or audio signals and constructs a digital data output source packet that is compatible with a corresponding TAO1 output module. All four channels are treated as analog inputs. Each channel is digitized to 12 bits at a rate of 8.93k samples per second.

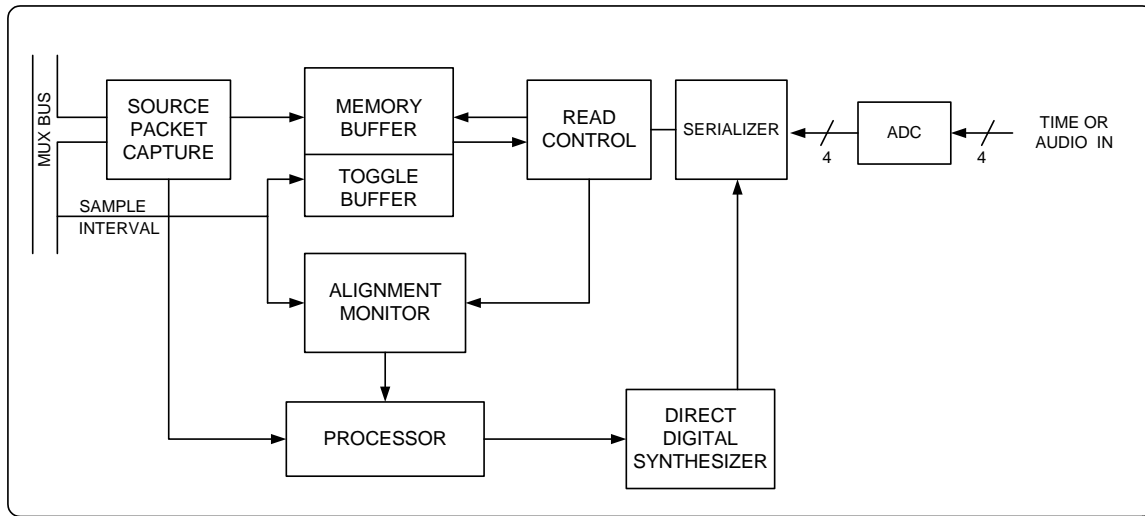


Figure 1 TAI1 Functional Block Diagram

3. SPECIFICATIONS

NUMBER OF CHANNELS

4 Channels on BNC type connectors

INPUT VOLTAGE RANGE:

6V pk-pk

600 Ohm input impedance

FREQUENCY RESPONSE:

1-3000 Hz

4-pole low pass Butterworth filter

DIGITIZER:

12 bits perchannel

8.93k Samples/Sec/Channel

CHANNEL ID

11-bits, 0x000 – 0x7F0

COMPATIBILITY

AL4300 MITC Bus

One Chassis Slot Required

Apogee Labs, Inc. sells its products by description only. Apogee Labs, Inc. reserves the right to make changes in circuit design, software, hardware and/or specifications at any time without notice. Although Apogee Labs, Inc. believes that the information provided is current and accurate, Apogee Labs, Inc. does not assume any responsibility or liability for the use of any product described. It is the responsibility of the user to determine appropriate use of the product in any given application.