

## MODEL 2073 INTERFACER PRODUCT LINE

## IOC033

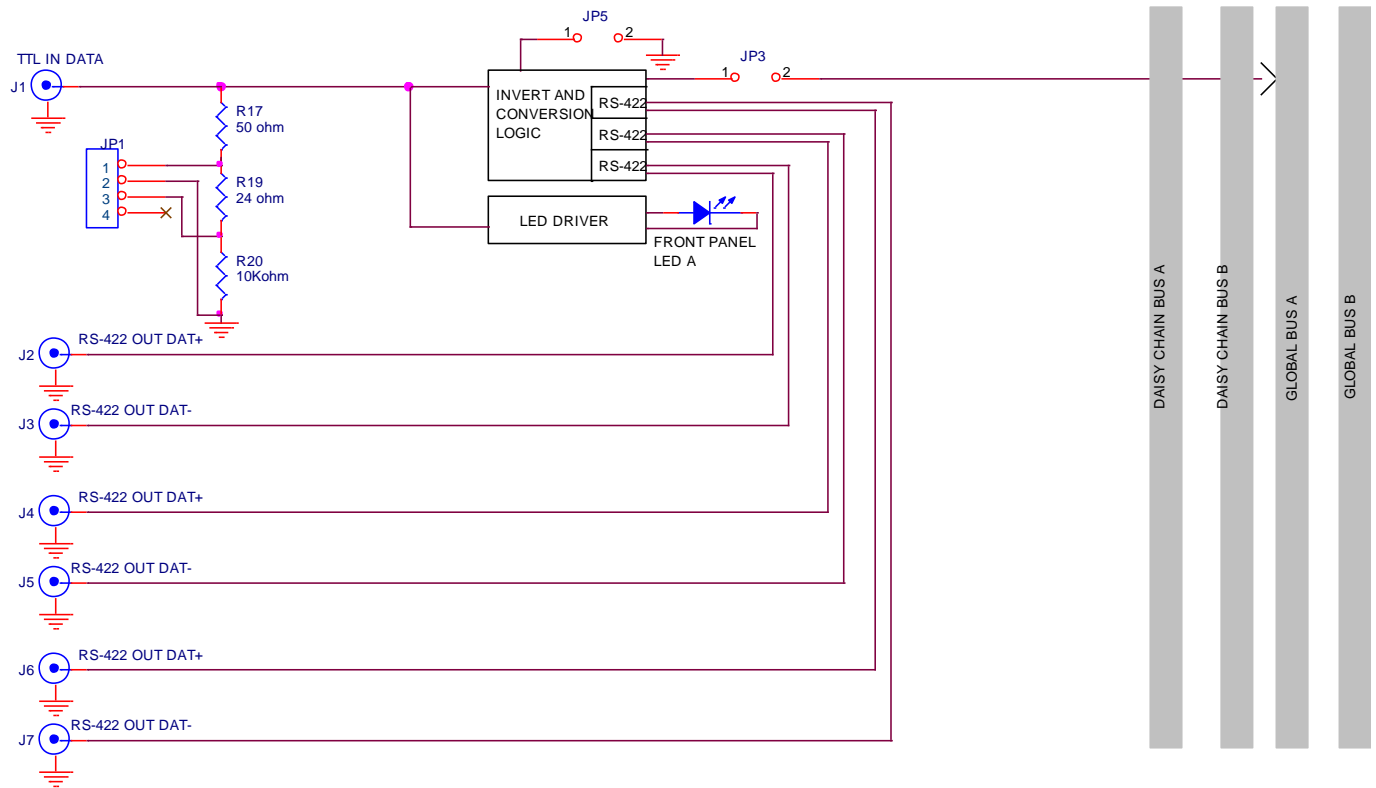
## TTL TO RS-422 CONVERTER MODULE

## FEATURES

- One Single Ended TTL level inputs
- Three Independent RS-422 level outputs
- Input illuminates front panel A LED
- Selectable input termination (50 ohm/75 ohm/10 Kohm)
- Drives Global Bus

## OVERVIEW

The IOC033 Pluggable Interface Module (PIM) accepts a TTL Level input signal and produces three independent differential RS-422 level output signals. The IOC033 uses one BNC for the TTL input signal. The 3 independent RS-422 outputs are configured as 2 cable differential on BNC. The I/O rate for each output channel is 30Mbps. The Global bus on the AL2073 backplane can be driven from this module and routed to additional output modules which can create additional outputs in a variety of formats. The IOC033 occupies two slots of the 14 available slots in the Model 2073 chassis.



**Figure 1: Model 2073-111-IOC033 Block Diagram**

JUMPERS	FUNCTION
JP1	Input Termination - Short pins 1-2 for 50 Ω; 2-3 for 75 Ω ; 3-4 for 10k Ω , TTL IN
JP3	Short pins 1-2 to drive Global Bus A, open to disable
JP5	Short pins 1-2 for non-inverted TTL IN DATA, open to invert

**Table 1: Model 2073-111-IOC033 Jumper Settings**

---

**SPECIFICATIONS**

**GENERAL**

TTL to RS-422 converter  
1 TTL In to 3 RS422 out  
Dual Slot Model  
Model 2073 Pluggable Interface Module

**INPUT**

TTL Level Inputs  
BNC Connectors  
50/75/10k-ohm selectable termination

**OUTPUT**

RS-422 Level Outputs on BNC

**APPLICATION INFORMATION**

The IOC033 is used to Buffer a TTL level input signal to 3 independent RS422 outputs. This helps join equipment with unlike interfaces by properly receiving and driving the signals.

The IOC033 can also be used in a distribution application where the global bus is used to distribute multiple copies of the input signals.

This module can also be plugged into Apogee Models:

AL2873