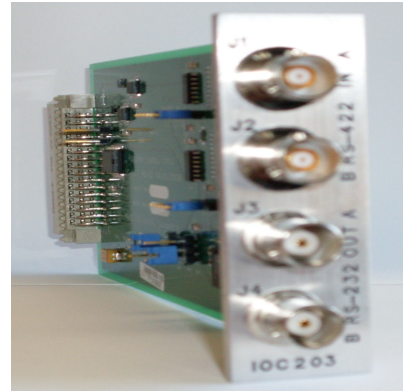


MODEL 2073 INTERFACER PRODUCT LINE

IOC203

RS-422 TO RS-232
CONVERTER MODULE

FEATURES

- Two Independent RS-422 Level Inputs
- Two Independent RS-232 Level Outputs
- Inputs Illuminate Front Panel LEDs
- Selectable Input Termination (124 Ohm/75 Ohm)
- Drives Daisy Chain Bus and Global Bus
- High Current Outputs
- Independent Output Polarity Selection

OVERVIEW

The IOC203 Pluggable Interface Module (PIM) accepts two RS-422 Level input signals and produces two RS-232 level output signals. Both output polarities may be inverted independently. The IOC203 uses two Triax input connectors, two BNC output connectors and operates up to 500 Kbps. It can also drive the Daisy Chain bus and the Global bus in the Model 2073 Chassis, enabling the user to create multiple copies of the output signals. The IOC203 requires one slot of the 14 available slots in the Model 2073 chassis.

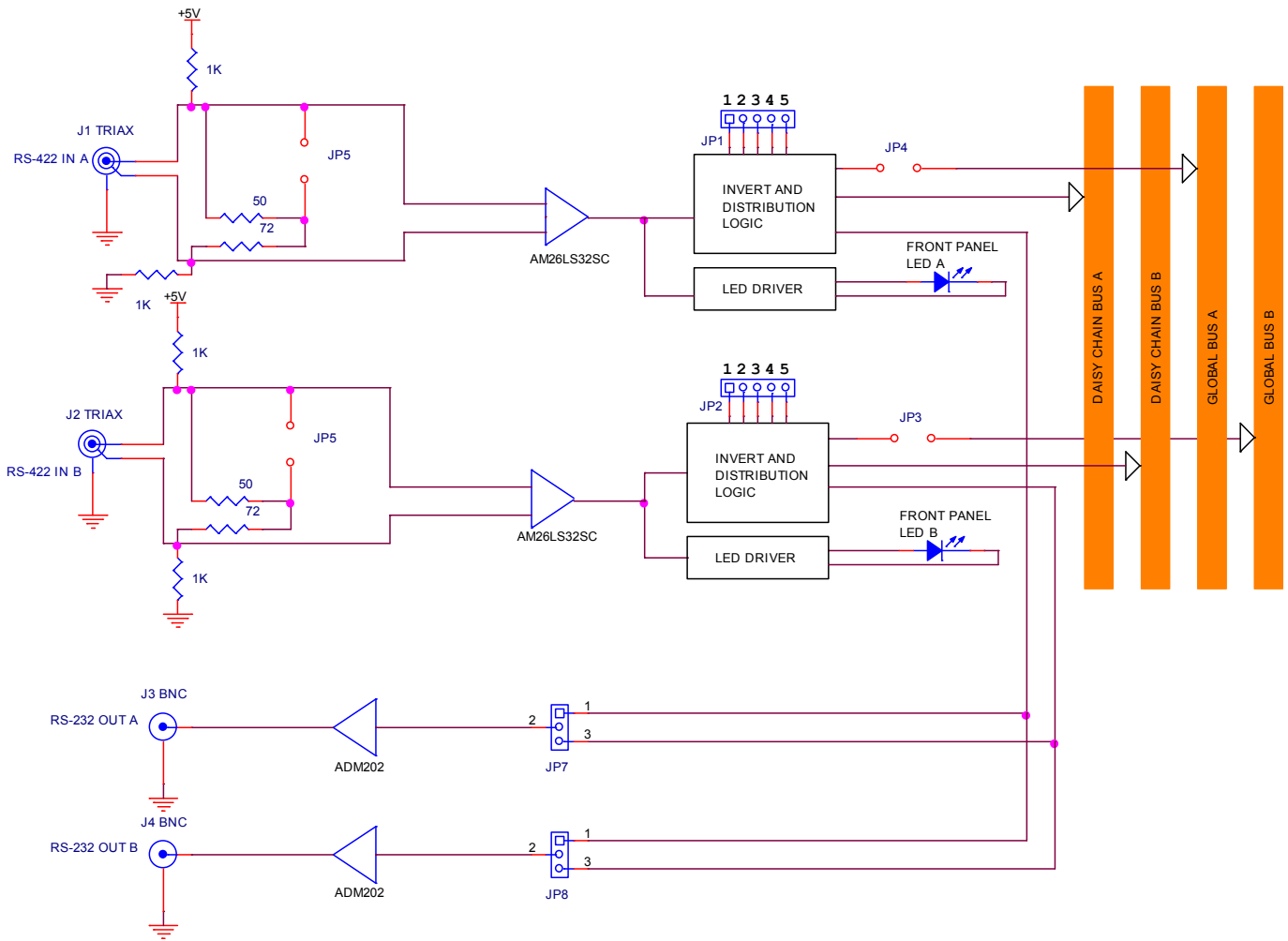


Figure 1: Model IOC203 Block Diagram

SPECIFICATIONS

GENERAL

2 Independent channels
 Single Slot Module (3" x 6" x 0.9")
 Model 2073 Pluggable Interface Module

INPUT

RS-422 Level Inputs
 Triax Connectors (Trompeter Part No. BJ770)
 124/75-ohm selectable termination

OUTPUT

RS-232 Level Outputs

BNC connectors

APPLICATION INFORMATION

The IOC203 can be used to convert any two RS-422 level signals to RS-232 level signals. This helps join equipment with unlike interfaces by properly receiving and driving the signals.

The IOC203 can also be used in a distribution application where the Daisy cChain bus or Global bus is used to distribute multiple copies of one or both input signals. This module can also be plugged into Apogee Models:

- 2907 and 2908: Data Acquisition Mux/Demux
- 6801: 5 Channel BERT Operation
- 6804: Multi Channel Clock Recovery Unit

Apogee Labs Inc. products are sold by description only. Apogee Labs Inc. reserves the right to make changes in circuit design, software, hardware and/or specifications at any time without notice. Although Apogee Labs Inc. believes that the information provided is current and accurate, Apogee Labs Inc. does not assume any responsibility or liability for the use of any product described. It is the responsibility of the user to determine appropriate use of the product in any given application.

JUMPERS	FUNCTION
JP1	Open pins 1-2, Short pins 4-5 to non-inverted RS-422 IN A Short pins 1-2, Open pins 4-5 for inverted RS-422 IN A
JP2	Open pins 1-2, Short pins 4-5 to non-inverted RS-232 IN B Short pins 1-2, Open pins 4-5 for inverted RS-232 IN B
JP3	Short pins 1-2 to drive Global Bus B, open to disable
JP4	Short pins 1-2 to drive Global Bus A, open to disable
JP5	Short pins 1-2 for 75 Ω RS-422 IN A input termination, Open for 124 Ω
JP6	Short pins 1-2 for 75 Ω RS-422 IN B input termination, Open for 124 Ω
JP7	Short pins 1-2 to send RS-422 IN A to RS-232 OUT A Short pins 2-3 to send RS-422 IN B to RS-232 OUT A
JP8	Short pins 1-2 to send RS-422 IN A to RS-232 OUT B Short pins 2-3 to send RS-422 IN B to RS-232 OUT B