

MODEL 2073 PRODUCT LINE

IOC308

**SINGLE ENDED
NEGATIVE ECL INPUT
TO
DIFFERENTIAL
NEGATIVE ECL OUTPUT
CONVERTER MODULE**



REAR VIEW



SIDE VIEW

FEATURES

- Single Ended NECL Input (-0.8V to -1.8V)
- Differential NECL Output (-0.8V to -1.8V)
- Up to 500 Mbit Operation
- Front Panel Input Activity indicator
- Industry Standard Input/Output connectors

OVERVIEW

The IOC308 Pluggable Interface Module (PIM) is an active device that receives and terminates a Single Ended Negative ECL (NECL) input and drives it to a Differential NECL output. The IOC308 uses two SMA input connectors and four SMA output connectors and operates to 500 Mbits. The IOC308 requires two slots of the 14 available slots in the Model 2073 chassis.

Note: There are no user-configurable settings on this module.

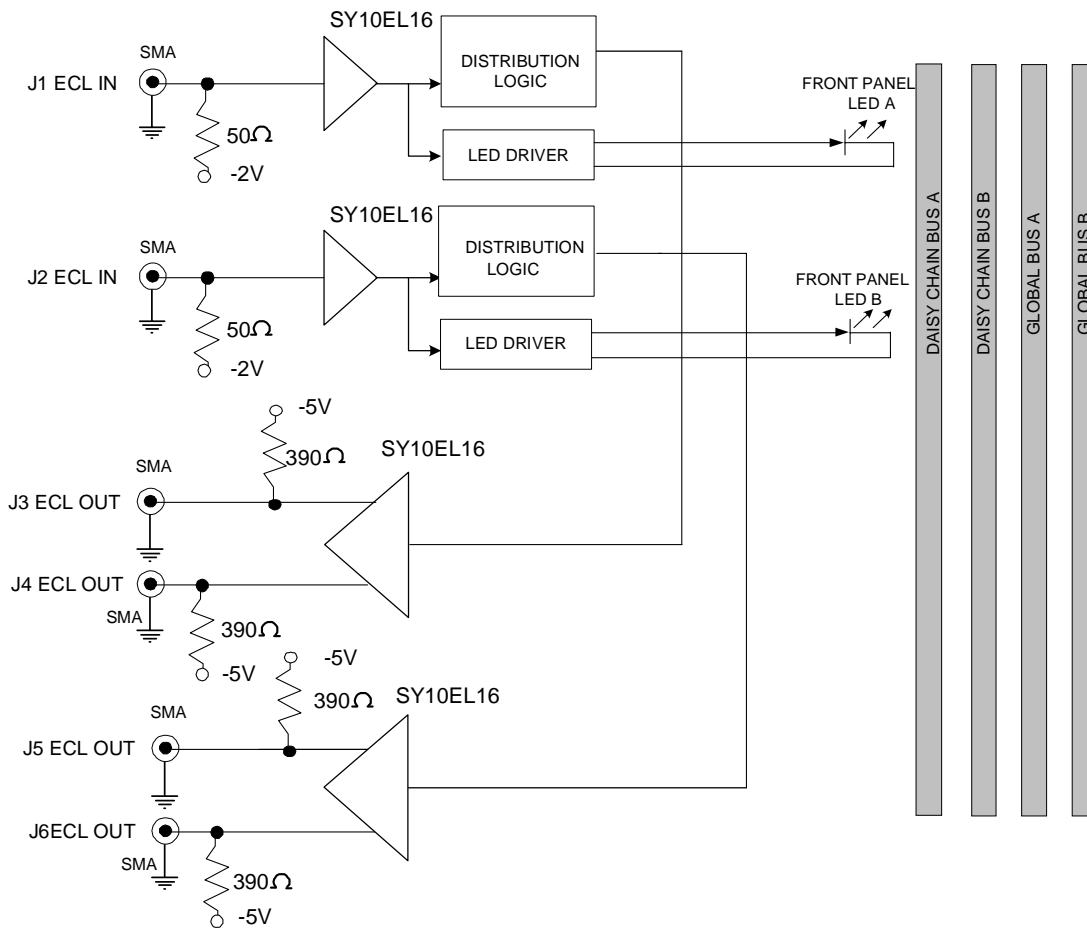


Figure 1: Model IOC308 Block Diagram

SPECIFICATIONS

GENERAL

Dual Slot Module (3" x 6" x 1.8")
 +5V, -5V, -2V
 Up to 500 Mbit Operation
 Input illuminates the front panel LED's

INPUT

2 Single Ended NECL (-0.8V to -1.8V)
 SMA connectors

OUTPUT

2 Differential NECL (-0.8V to -1.8V)
 SMA Connectors

APPLICATION INFORMATION

The IOC307 is used to convert two separate Single Ended ECL signals to two separate Differential NECL signals. Typical application is to convert Single Ended ECL data and clock to Differential ECL data and clock. This joins equipment with unlike interfaces by properly receiving and driving the signals.

This module can be plugged into Apogee Models:

2097 and 2098: Data Acquisition Mux/Demux
 6801: 5 Channel BERT Operation
 6804: Multi Channel Clock Recovery Unit

FRONT PANEL LED FUNCTIONS

LED A illuminates when there is active differential NECL input on the J1 input

LED B illuminates when there is active differential NECL input on the J2 input