

FEATURES

- Operates up to 45 Mbps
- Two TTL Level Inputs
- Four TTL Level Outputs
- Jumper Selectable Input Polarity
- Drives Daisy Chain Bus for additional distribution*
- Input Activity LED



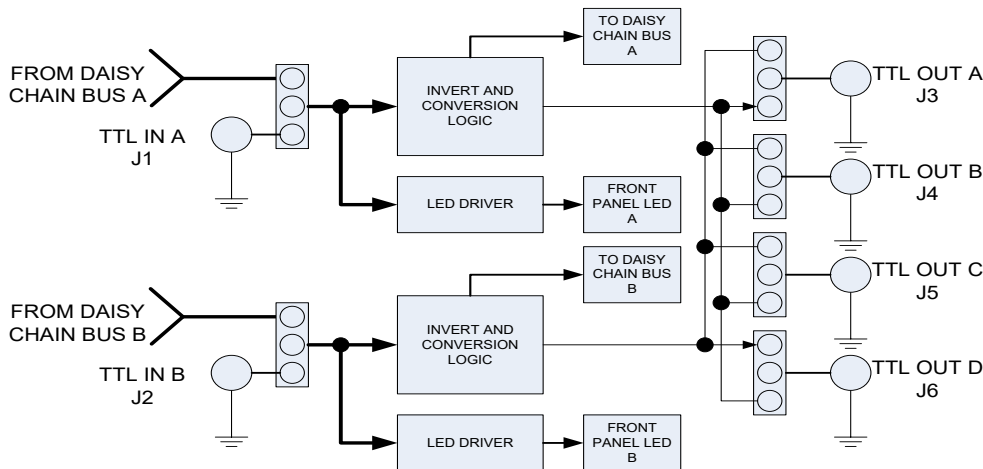
IOC DDB04

OVERVIEW

The IOCDDB04 Pluggable Interface Module (PIM) is a Conversion Module capable of receiving two TTL level input signals and produces four TTL level output signals. All input signals may be inverted independently. The IOCDDB04 uses two BNC input connectors and four BNC output connectors and operates up to 45 Mbps. The IOCDDB04 can also drive the Daisy Chain Bus* of the 2500 chassis enabling the user to create additional copies of the input data signals. A valid input to J1 and J2 will illuminate the corresponding A & B LED on the front of the module respectively. The IOCDDB04 requires 1 slot of the 15 available slots in the Model 2500 chassis.

**Daisy Chaining of multiple modules may result in reduced data rates. Contact factory for additional information.*

FUNCTIONAL DIAGRAM



SPECIFICATIONS

General

- 2 Independent Channels
- Single Slot Module
- Model 2500 Pluggable Interface Module

Input

- Selectable: J1/J2 BNCs or Internal Daisy Chain Bus
- TTL Data and Clock
- Rate: Up to 45Mbps
- 50/75/1K Ohm Selectable Termination
- Jumper Selectable polarity

Output

- J3-J6: TTL Data
- Jumper Selectable Output Control